

Biometric Access Control



What is Fingerprint Access Control?

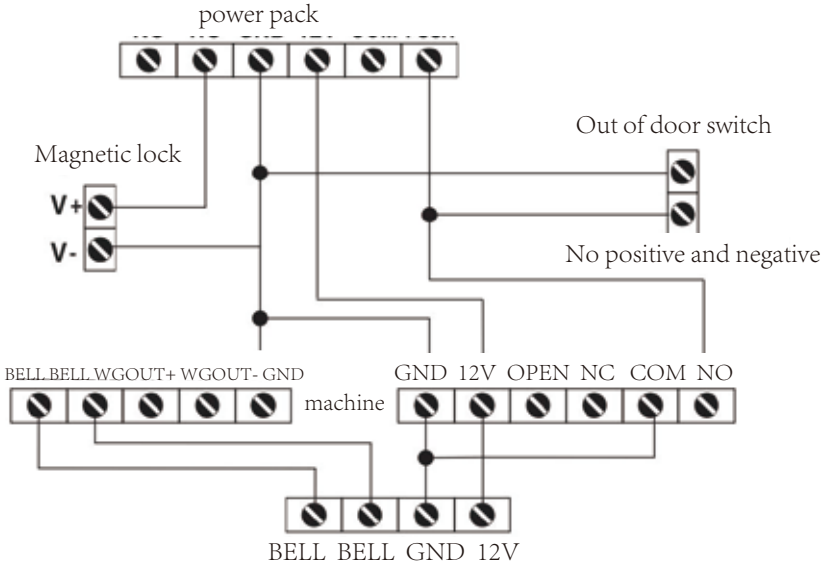
Fingerprint Access Control is an intelligent management system that installs a fingerprint access control at the entrance and exits and performs operations such as release, rejection, It is used as gate access control, intelligent building system, high-security entrance, and exit management and other places, The purpose of safe access control is to effectively control the access of personnel and realize the safety management of entrances and exits.

The fingerprint access control machine uses human biometric fingerprints for identity security identification and has the characteristics of irreplaceability, non-copying, and uniqueness.

Screen size	2.4inch
ID/IC card	ID (IC Optional)
User capacity	3000
Fingerprint capacity	3000
Password capacity	3000
Data capacity	80000
Recognition speed	≤1s

FAR	≤0.0001%
FR	≤0.1%
Power	12V1A
Ambient temperature	-10 °C ~45 °C
Environment humidity	20~80%
Product Size	200*84*31mm
Language	English

Fingerprint machine wiring instructions



S4A Industrial Co., Limited

Address: The 2nd floor, Jinmin'an Industrial Zone, #529, Bulong Rd, Bantian St, Longgang Dist, Shenzhen, PRC, CN 518131



Tel: +86 755 29450011

www.s4a-access.com / Email: sales@s4a-access.com
Mob/Whatsapp/Wechat/Viber: +86 134 1050 0721